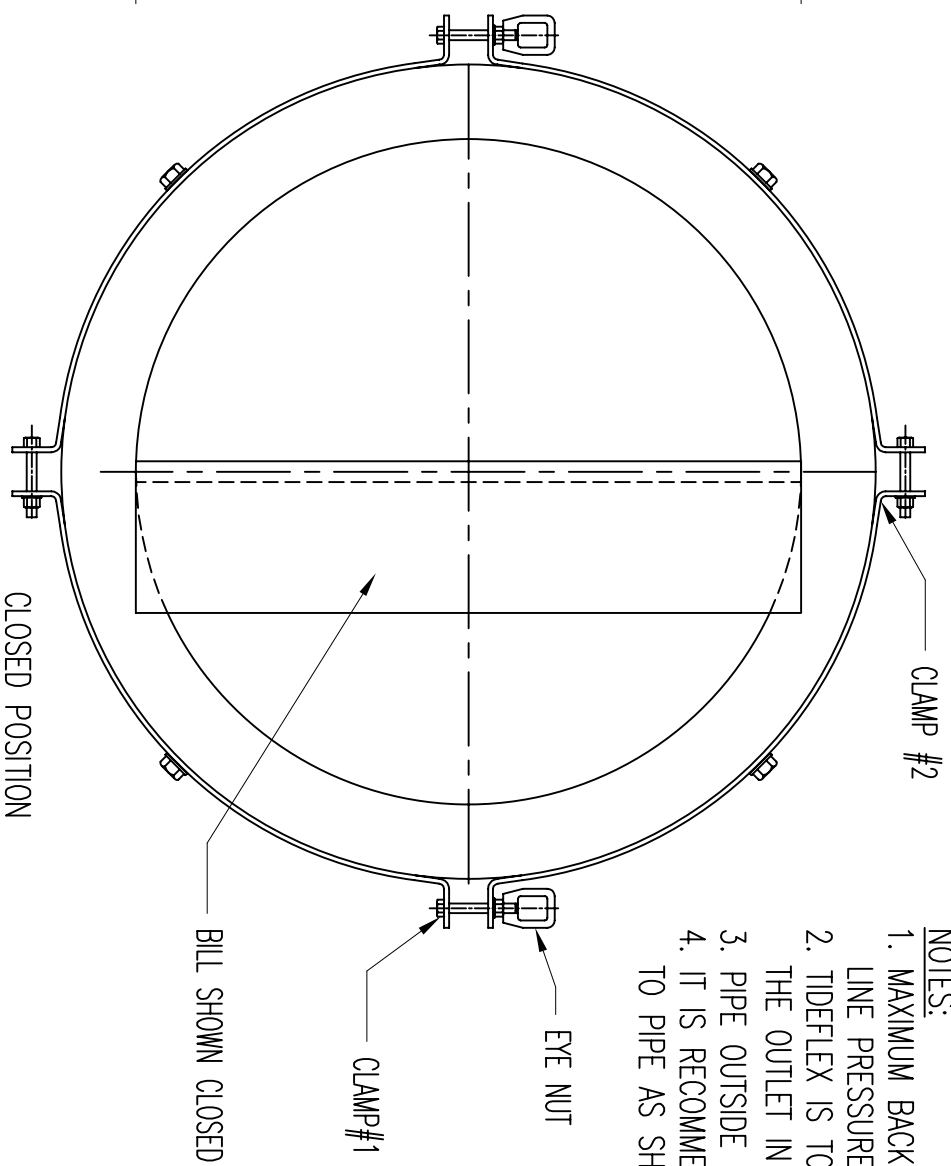
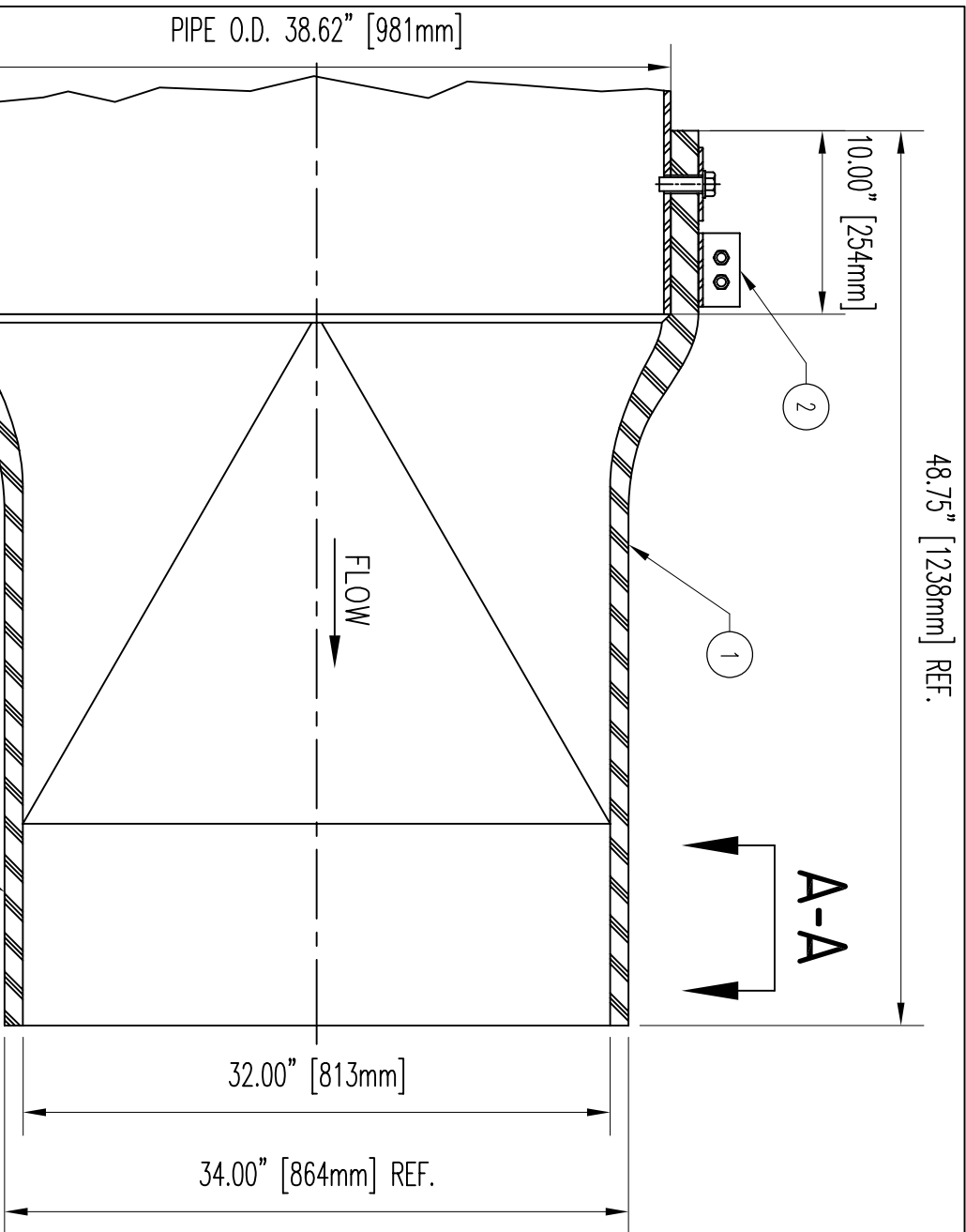
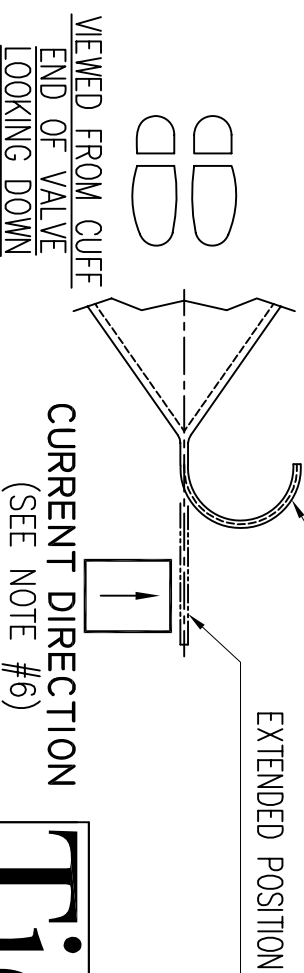
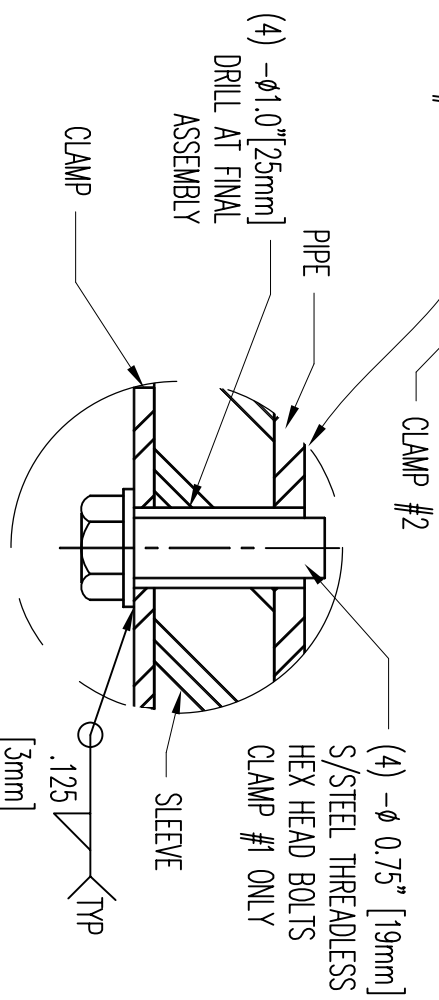


ITEM	QTY.	DESCRIPTION	MAT'L
1	1	CHECK VALVE SLEEVE	PGR/NEOPRENE COVER
2	2	MOUNTING CLAMP	316 S/STEEL



- NOTES:
1. MAXIMUM BACK PRESSURE - 0.35 BAR
 2. LINE PRESSURE - 0.2 BAR
 3. TIDFLEX IS TO BE MOUNTED WITH THE OUTLET IN THE VERTICAL POSITION
 4. PIPE OUTSIDE DIAMETER - 38.62" [981mm]
 5. IT IS RECOMMENDED TO BOLT OR PIN TIDFLEX TO PIPE AS SHOWN, 4 PLACES 90° APART



PROPRIETARY NOTICE

THIS DOCUMENT CONTAINS PROPRIETARY INFORMATION OF TIDFLEX TECHNOLOGIES. IT IS LOANED BY TIDFLEX TECHNOLOGIES, SUBJECT TO THE CONDITIONS THAT IT AND THE INFORMATION EMBODIED THEREIN SHALL BE USED ONLY FOR RECORD AND REFERENCE PURPOSES. IT SHALL NOT BE USED OR CAUSED TO BE USED IN ANY WAY PREJUDICIAL TO THE INTERESTS OF TIDFLEX TECHNOLOGIES. IT SHALL NOT BE REPRODUCED OR COPIED IN WHOLE OR PART, OR DISCLOSED TO ANYONE WITHOUT THE DIRECT WRITTEN PERMISSION OF TIDFLEX TECHNOLOGIES AND SHALL BE RETURNED UPON REQUEST.

Tidflex
 Technologies
 A Division of Red Valve Company, Inc.
 600 N. BELL AVE.
 CARNEGIE, PA. 15106
 info@tidflex.com
 412.279.0044
 fax 412.279.5410

SALES ORDER No: T09-0171-1

17. Feb. 2009

 Regler & Verfaehrens-
 Technik GmbH

CUSTOMER: REGLER & VERFAHRENS-TECHNIK GMBH
 ORDER No: 996260

TT PRODUCT: 36" SERIES 37G CHECK VALVE WITH SLIP ON CUFF
 TT PART No: 37G-360-APPROVAL
 DR. BY: PAP DATE: 2-11-09 CHKD. BY: DATE:
 CAD SCALE: FULL
 PLOT SCALE: .10
 DWG No: TTS-34556